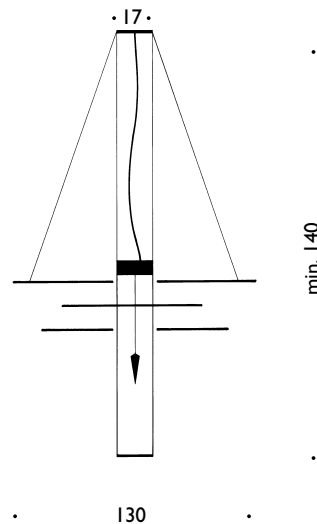


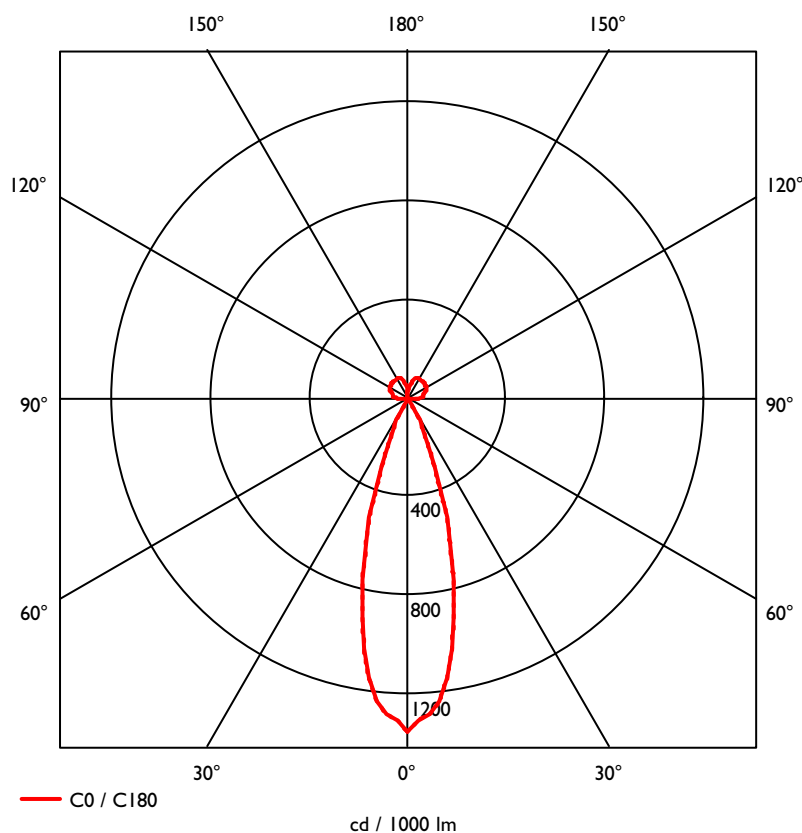
Oh Mei Ma

Design: Ingo Maurer 1993

Operational current: 230/125 volts
 Socket: GY 9,5
 Connected power: 300 watts
 Luminous flux: 5000 lm
 Luminous colour: ww
 Colour rendition: 1B
 Protection class: I ⊕
 Protection category: Not water or moisture proof
 Weight: 6.6 kg



Six sheets of silver-coated paper: Plumb made of steel. Halogen 230/125 volts, 300 watts, GY 9,5 socket. Cable (300 cm) can be shortened according to user's requirements. Alternative lengths available on request. Version with gold leaf instead of silver can be supplied to order. Complete with bulb. Both versions are designed for rooms with high ceilings or for use as a pendant lamp above a large table. Light reflexes appear and disappear as the viewer's position changes.



| | C0 | C90 | C180 |
|------|--------------|------|------|
| 0° | 1344 | 1344 | 1344 |
| 10° | 1027 | 1027 | 1027 |
| 20° | 404 | 404 | 404 |
| 30° | 66 | 66 | 66 |
| 40° | 1 | 1 | 1 |
| 50° | 0 | 0 | 0 |
| 60° | 0 | 0 | 0 |
| 70° | 0 | 0 | 0 |
| 80° | 0 | 0 | 0 |
| 90° | 37 | 37 | 37 |
| 100° | 64 | 64 | 64 |
| 110° | 74 | 74 | 74 |
| 120° | 88 | 88 | 88 |
| 130° | 92 | 92 | 92 |
| 140° | 92 | 92 | 92 |
| 150° | 94 | 94 | 94 |
| 160° | 88 | 88 | 88 |
| 170° | 48 | 48 | 48 |
| 180° | 0 | 0 | 0 |
| | cd / 1000 lm | | |

Efficiency: 90.3%
 Range of light: rotationally symmetric
 Beam angle: 30.6° C0-C180

Ingo Maurer GmbH
 Kaiserstrasse 47
 80801 München
 Tel. +49.89.381 6060
 Fax +49.89.381 60620
 info@ingo-maurer.com
 www.ingo-maurer.com

INGO MAURER